

MOSA M12 MALE 0° FIELD-WIREABLE (IDC)4-pol. 0.5...1.0mm²

Male straight

M12, 4-pole

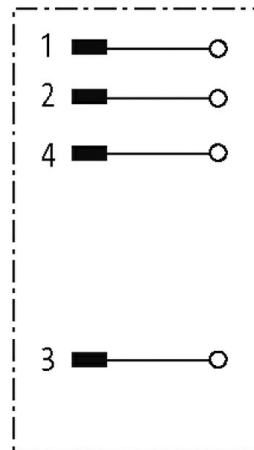
IDC terminals

Connection cross section: 0.5...1.0 mm²

Art-No. 7005 - M12 Lite - (plastic hexagonal screw) on request

Plastic housings with good resistance against chemicals and oils.

The resistance to aggressive media should be individually tested for your application. Further details on request.

Illustration

Product may differ from Image

Form

Form 12521

General data

Temperature range -25...+85 °C

Dimensions H×W×D 57.3×22×22 mm

Technical Data

Operating voltage max. 32 V AC/DC

Rated surge voltage 0,8kV

Operating current per contact max. 4 A

Material group IEC 60664-1, category III

Connection cross section 0.5...1.0 mm² (conductor diameter min. 0.1 mm)

Sealing range (cable Ø) 5.5...8 mm

Wire isolation PVC, PP, TPE

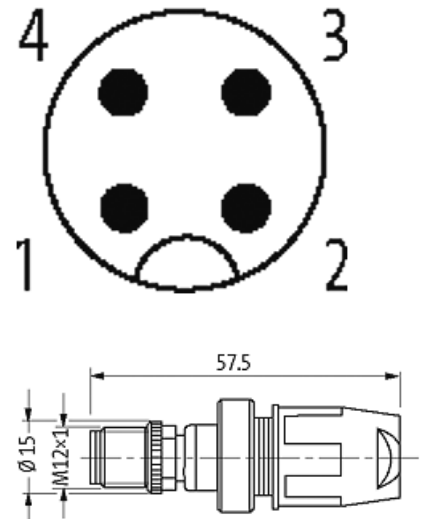
Outer wire Ø	1.6...2.0 mm
Locking of ports	Screw thread (M12×1 mm) recommended torque 0.6 Nm, self-securing
Protection	IP67 inserted and tightened (EN 60529)
Reconnection (cable)	10

Commercial data

country of origin	DE
customs tariff number	85366990
EAN	4048879201797
eClass	27279221
Packaging unit	1

Sketch

Male



Product may differ from Image